



KAP AUTO-BOLT™ MAX

Maximum protection
each and every time the
door closes

Award-Winning Multi-Point Locking

Kaploss Security, the leader in multi-point locking door hardware, has answered the call for instant deadbolt multi-point locks with an automatic locking function for high-traffic door openings.

Maximum protection against break-ins is provided each and every time the door closes with up to 5 locking points. A single action of a lever or touchbar retracts all deadbolts simultaneously, meeting life-safety, accessibility, and fire codes



Forced Entry Resistance

- Multi-Point Deadbolt Locking Protection – *Up To 5 Points*
- Stainless Steel Deadbolts
- Full 1 Inch Minimum Deadbolt Projection
- 3 Separate Locking Locations On Lock Edge
- Customizable Locking Points On Hinge Edge
- Stainless Steel Thru-Bolt Plates



Customizable Features

- Interior Lever Or Touchbar
- Concealed Or Surface-Applied Models
- Exterior Entry By Key Or Electric Release
- Exit-Only Models Available
- Locking Bolt Locations Customizable
- Unique Bolt Hold Back Options
- Code-Compliant Electromagnetic Lock Release



Durability & Vandal Resistance

- Bolts Project Into The Frame And Header, Not Floor
- Tested For Over 1 Million Cycles
- Stainless Steel Lock Body And Internal Parts
- Breakaway Slip-Clutch In Exterior Lever
- Patented Dual Point Mortise Cylinder Holder
- Thru-Bolted Anti-Pry Plate Options Available
- Saw-Resistant Free-Spinning Locking Bolt



Uncomplicated Installation

- Easily Mounts Within Factory-Prepped Hollow Metal Doors
- Surface-Applied Models Can Retrofit To Existing Doors
- Strike Plates And Kit For Concealed And Retrofit Models
- Modular Design For Easy Maintenance And Service
- Thru-Bolting For Easy Alignment



Complete Code Compliance

- Single Motion Egress
- Meets All ADA & Accessibility Requirements
- Fire-Rated Models Available
- Re-Entry Models Available
- Fire-Alarm Integration Available
- Windstorm-Rated Models Available



Security Signaling Switches

- Provides All Signals From One Device
- Select Individual Or Multiple Signals
- Request-To-Exit By Lever Or Touchbar Movement
- Door And/Or Bolt Position Signals
- Special Key-Usage Signal
- Wall-Mounted Alarms Available

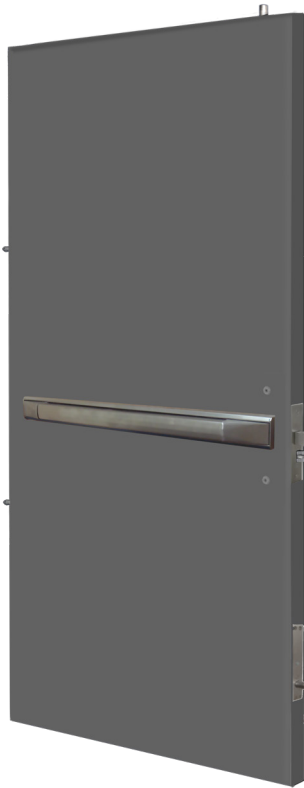


Access Control & Keying Integration

- 24vDC, 12vDC Or Motorized Release
- Mortise Cylinder Keyed Entry
- Compatible With Most Keying Systems

See model builder for complete list of functions, options and customization

KAP ABM™ Exit Device Series



Concealed

- Designed for factory-prepped metal doors
- Standard mortise lock opening
- Top trigger fits in both flush and inverted end-channels
- Lower horizontal bolt locks into frame, not floor
- Lower bolt module mounts into standard flush bolt edge prep
- Standard 4 7/8" primary strike
- Top & lower bolt strikes
- Bullet-type stationary bolts on hinge edge of door
- Models available for pairs of doors with or without mullions



KAP ABM™ Lever Series



Surface

- Retrofits to existing or new doors (Factory prep not required)
- Multi-point lock pre-installed in housing
- Stainless steel thru-bolted housing
- All bolts project horizontally
- Terminal strip provided within housing for signal wiring
- Flush mounted strikes for outswing doors
- Surface-applied strike kits used on inswing doors
- Surface-mounted bolts on hinge-side of outswing doors



KAP ABM~ Exit Device

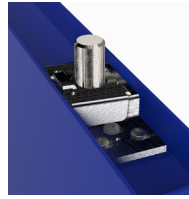
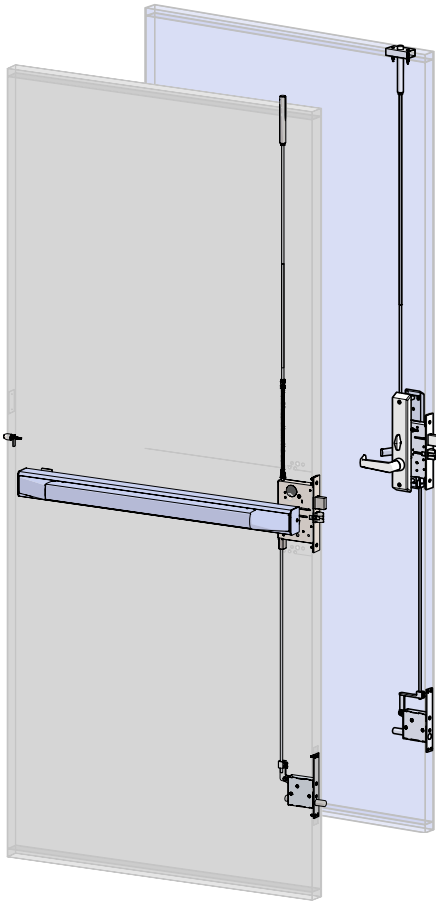
Ideal for high-traffic exits. Double door applications with active and inactive leaf are available.

Applications

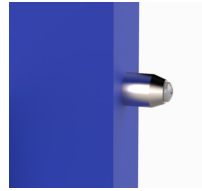
KAP ABM Lever Series

Ideal for inventory, data centers, and other secure rooms

KAP ABM™ Concealed



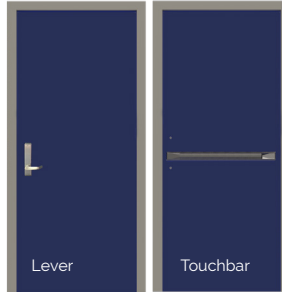
Top trigger does not require special door prep



Concealed bullet-type stationary bolts prevent hinge-removal (4th & 5th point locking)



Lower horizontal bolt projects into frame, not floor, reducing maintenance issues and malfunction risks



Multi-point bolting is concealed within the door and frame, maintaining aesthetic look and feel

Edge View of Main Lock Body and Trim



Concealed Touchbar



Concealed Lever



Surface Applied Touchbar



Surface Applied Lever

KAP ABM™ Surface



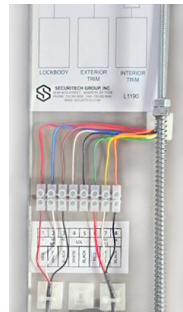
Horizontally-mounted top trigger allows retrofitting automatic multi-point locking to existing doors without height adjustment



Surface-mounted locking bolts on hinge-side of outswing doors



(Exterior view) Thru-bolting secures lower and upper horizontal bolts and fastens housing to the door



Terminal strip provided on base for signal wiring

Stainless Steel Trim and Levers



Escutcheon Trim



Sectional Trim (Concealed Only)



Touchbar

Control Trim



- Thru-bolting
- Sloped trim for vandal-resistance
- Dual-point cylinder fastening
- Internal electric release (eliminates electric strikes)
- Vandal-resistant slip clutch within lever